

Product Finish: Antique Brass

Product code: AT1022
EAN13 barcode: 5060048380217



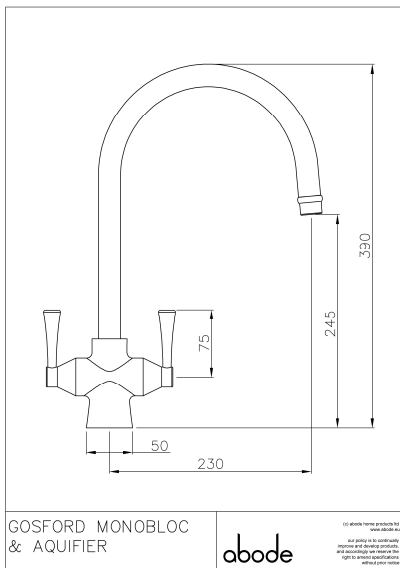
Note: the image shown may not reflect the product finish, chrome finish is typically depicted.

Product features:

- Metal construction throughout
- Custom designed for lower to mid pressures
- Quarter turn handle action for precise flow control
- Antisplash spout supplied as standard
- Elegant minimalist design styling with a softened edge

Additional information / Parts included:

Product dimensions:



- Overall Height / projection: 390 mm
- Exit reach: 230 mm
- Exit height: 245 mm
- Centre distance(s):

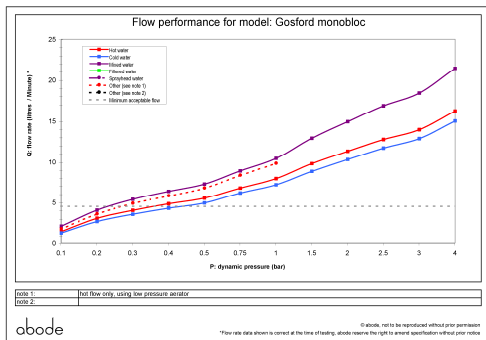
- Base diameter(s): 50 mm
- Recommended hole diameter: Ø 35 mm
- Max. surface depth: 50 mm

- Spout diameter: 24 mm
- Spout aerator size: 22f

Packaged properties:

- Box length: 435mm
- Box width: 340mm
- Box depth: 70mm
- Units per outer: 5
- Tap only weight: 1.92kg
- Boxed weight: 2.50kg

Product flow characteristics:



- Min / Max water pressure: 0.20 / 5.50 bar
- Recommended / Max water temperature: 46°C / 70°C
- Part G - Mixed flow rate at 3 bar (litres / min): 18.40

- Control valve type: Ceramic disc QT
- Product flow characteristics: Dual flow
- Non return valve(s): No, none required

- Aerator type: Plastic mesh diffuser
- Accepts revolve / spray areator: Yes
- Spout connection method: Grub screw

- Tail pipe inlet / outlet size: M12 / 15mm Ø
- Inlet pipe type / length: copper rigid tube / 245 mm

Care instructions summary:

- Clean the mixers and showers regularly as required, using soap, do not use any other cleaners.
- Regular cleaning will prevent the build-up of lime scale and dirt
- After cleaning rinse thoroughly with clean water to remove any cleaner residue
- Residues of sink & worktop cleaners can also cause damage, so rinse with clean water after using, avoid contact with any abrasives

Warranty Summary (Full details available on request):

- Materials and workmanship defects warranted for 5 years
- Valves and working parts warranted for 5 years
- Surface warranty defects warranted for 1 year
- O-rings, hoses & gaskets warranted for 1 year